



CLEP-MPO

▣ MPO Cleaner Series



CLEP-MPO-T

MPO Cleaner is a high-performance cleaning tool for the end faces of MPO & MTP type connectors. This alcohol free cleaner can efficiently clean the whole 12/16 cores at one time. It can also clean both the ferrules (male) and the bulkheads (female) with adapters.

▣ Features

- A. Efficiently clean various stains
- B. Match with FOCUS-5 (MPO) type connector
- C. Cleans end faces of connectors
- D. Cleans end faces of adapters
- E. Narrow design for densely distributed MPO adapters
- F. Easy operation
- G. More than 500 cleaning time per unit
- H. Low cost for single clean

▣ Applications

- A. Clean both multimode and single mode MPO connectors
- B. Capable for bulkhead endfaces
- C. Essential efficient item in FTTH tool kit

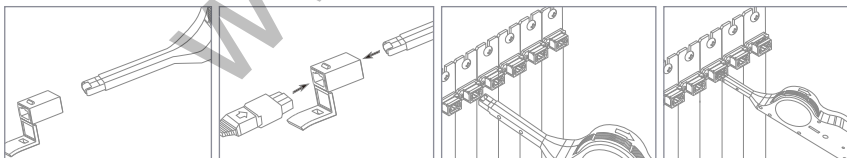


CLEP-MPO-Z



CLEP-MPO-W

▣ Operation demonstration



CLEP-MPO-16A



CLEP-MPO-26B



CLEP-MPO-16C

Model	Application	Durability
CLEP-MPO	MT, MTP & MPO connectors Manual operation	Over 500+ times per unit
CLEP-MPO-T	MT, MTP & MPO connectors One push operation	Over 600+ times per unit
CLEP-MPO-W	MT, MTP & MPO connectors Narrow space	Over 500+ times per unit
CLEP-MPO-26B	16 cores MPO connectors	Over 500+ times per unit
CLEP-MPO-16C	Optitip connectors	Over 500+ times per unit



Introduction

CLEP-MPO-Z Cleaner

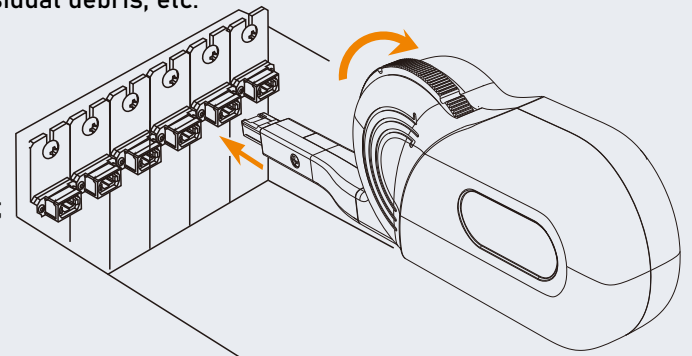
The CLEP-MPO-Z cleaner is a high-performance cleaning tool for MPO/MTP connectors. Alcohol-free material can effectively clean the end face of optic fibers. At one time, it can clean either 12 cores or 16 cores. The cleaner is applicable to both MPO/MTP male end face (ferrule) and female end face (adapter).

ORDERING INFORMATION

MODEL	DESCRIPTION	OTHER
CLEP-MPO-Z12	For 12 / 24 / 36 cores MPO/MTP	500+ cleans per unit
CLEP-MPO-Z16	For 16 / 32 / 48 cores MPO/MTP	500+ cleans per unit

FEATURES

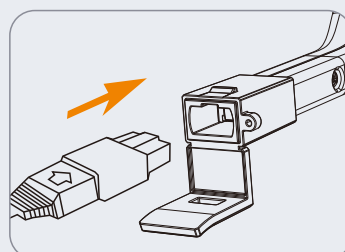
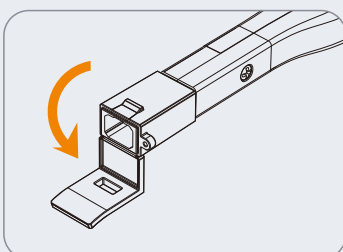
- Effectively cleans various stains such as dust, oil, residual debris, etc.
- Applied to FOCIS-5 (MPO) connectors
- Capable to clean the surface of adapters;
- Capable to clean both ferrules & bulheads;
- Narrow design easily cleans densely distributed MPO;
- Easy to operate;
- Over 500 times cleaning per unit;
- Low single cleaning cost;



APPLICATIONS

- Cleans SM/MM MPO connectors;
- Cleans MPO end face in adapters;
- Cleans MPO ferrules;
- Highly effective cleaner in tool cases

• MPO ferrules



• MPO adapters

